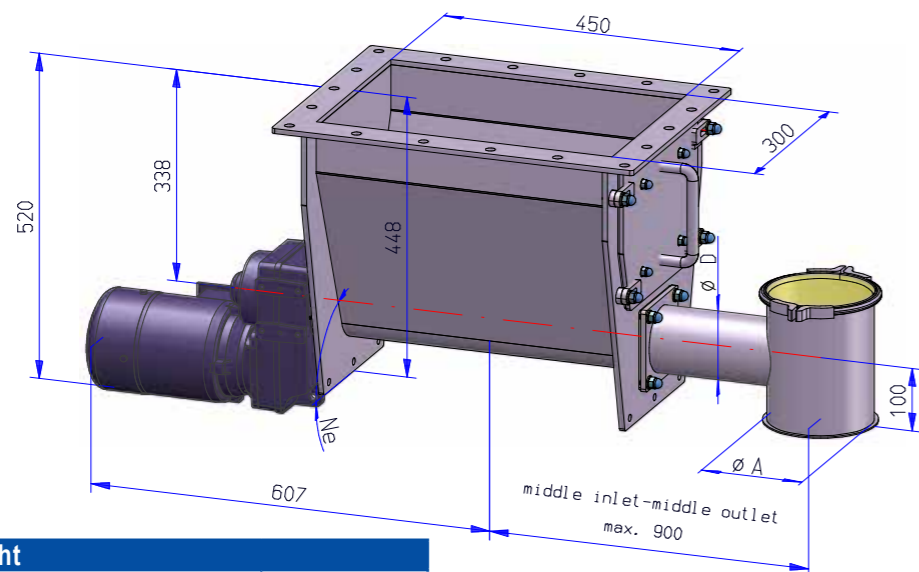


Screw feeder DRS...G

Technical data



Weight	
DRS100G basic configuration	approx. 70 kg
Dispensing agitator	approx. 30 kg
Thread extraction device	approx. 25 kg
Hopper 100 l	approx. 40 kg
Hopper 200 l	approx. 75 kg
Hopper 500 l	approx. 100 kg

	DRS060G	DRS100G	DRS150G
ØD mm	Ø60	Ø103	Ø153
ØA mm	Ø120	Ø150	Ø200
Inclination Ne	65°	70°	74°

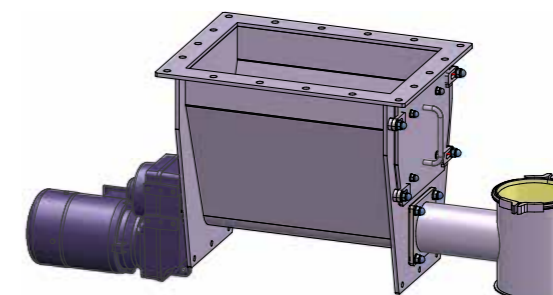
Gear motor rpm at 50 Hz	Rated capacity l/h at 50 Hz Calculated capacity l/h at 5 Hz - 85 Hz with 100% filling					
	DRS060		DRS100		DRS150	
32	85 9-145	0.55 kW	566 57-963	0.55 kW	2,697 270-4,584	0.55 kW
47	125 13-213	0.55 kW	832 83-1,414	0.55 kW	3,961 396-6,733	0.55 kW
66	176 18-299	0.75 kW	1,168 117-1,986	0.75 kW	5,562 556-9,455	0.75 kW
85	227 23-386	0.75 kW	1,504 150-2,557	0.75 kW	7,163 716-12,177	0.75 kW
109	291 29-494	0.75 kW	1,929 193-3,279	0.75 kW	9,185 919-15,615	0.75 kW
129	344 34-585	0.75 kW	2,283 228-3,881	0.75 kW	10,871 1,087-18,480	0.75 kW
161	430 43-730	0.75 kW	2,849 285-4,844	0.75 kW	13,567 1,357-23,065	1.10 kW
190	507 51-862	0.75 kW	3,362 336-5,716	0.75 kW	16,011 1,601-27,219	1.10 kW
236	630 63-1,071	0.75 kW	4,176 418-7,100	0.75 kW	19,888 1,989-33,809	1.10 kW
264	704 70-1,198	0.75 kW	4,672 467-7,942	1.10 kW	22,247 2,225-37,820	1.10 kW
304	811 81-1,379	0.75 kW	5,380 538-9,146	1.10 kW	25,618 2,562-43,551	1.10 kW
356	950 95-1,615	1.10 kW	6,300 630-10,710	1.10 kW	30,000 3,000-51,000	1.10 kW

Dark fields: Peripheral speed more than 1.0 m/s at 75 Hz.
With explosive products only permitted under certain conditions.

Screw feeder DRS...G



www.paul-groth.com



PAUL GROTH
Mühlenbau GmbH & Co. KG

Screw Feeder DRS...G with Hopper 450 x 300 mm

We would be pleased to discuss your specific requirements with you.

Shaft sealing available with

- shaft sealing ring
- with flushing air
- with stuffing box
- with CinchSeal®

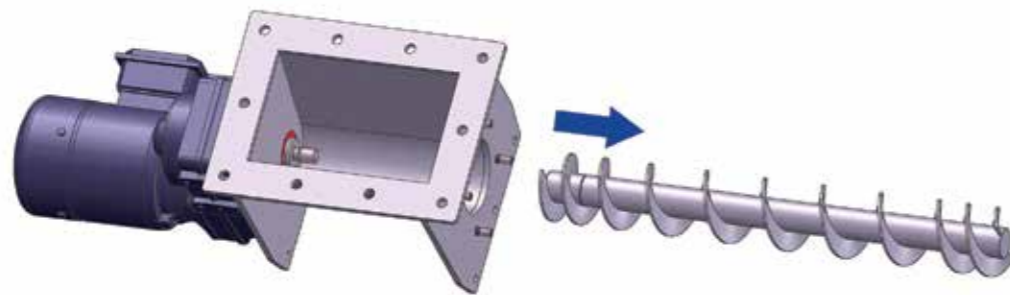
It is possible to convert the shaft sealing at a later date.

Shaft mounted geared motor

make NORD
with temperatur sensor
for onsite frequency converter

Screw shaft

- screwed in and easy to change
- progressive thread pitch



Fixing holes

optional: angle brackets



Cleaning hatch

Transparent lid

above the outlet fastened with pulling.
Alternative aspiration connection

Dosing tube
dismountable

Outlet for JACOB pulling

Made of
Stainless steel AISI 304 (1.4301)
pickled and
glas bead blasted

Optional version

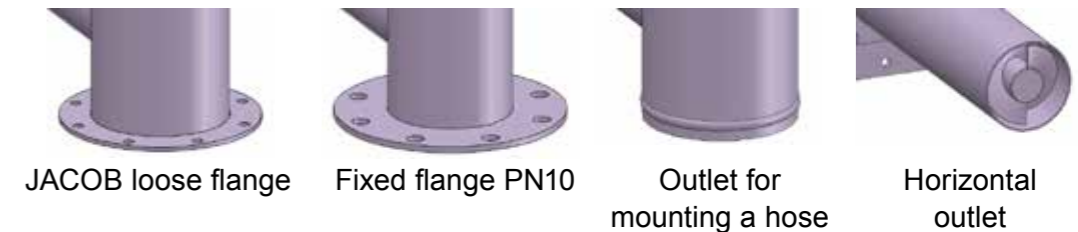


for dry food and
dry cleaning



for ATEX zone 22
Kat. II3D

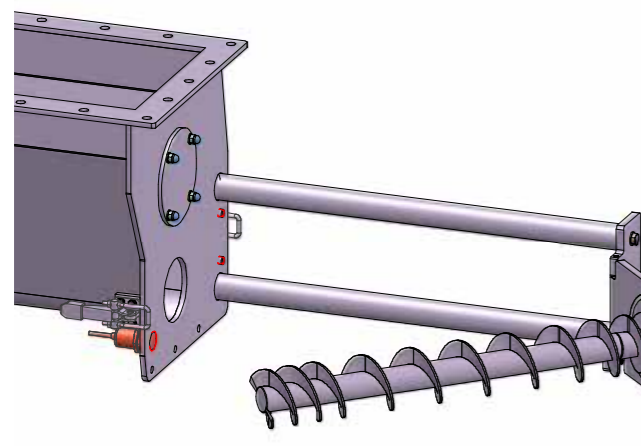
Alternative outlets or according to customers needs



Accessories

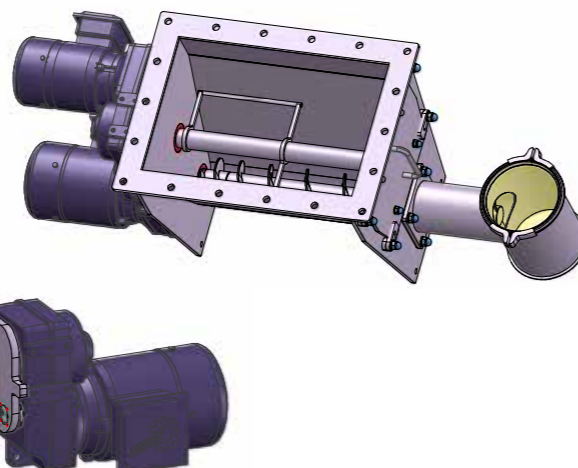
Thread extraction device

for quick and effective cleaning



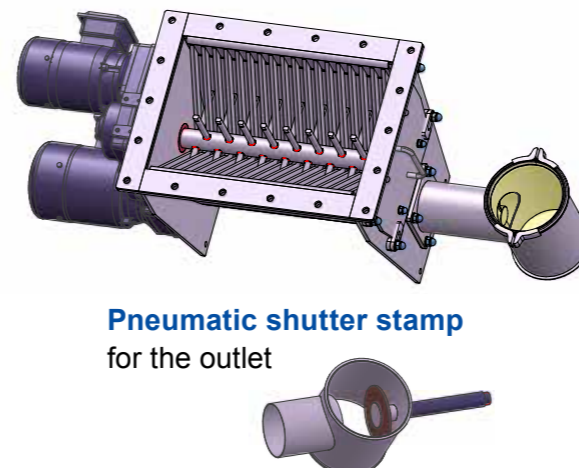
Dispersing agitator

can also be upgraded later



Lump breaker

can also be upgraded later



Pneumatic shutter stamp

for the outlet



Hopper

100 l

200 l

500 l

usable volume	H mm	W mm	L mm	hopper inclination
100 l	800	400	550	90°
200 l	800	900	900	90° / 72° / 66°
500 l	1.300	900	900	90° / 72° / 66°

or according to customers needs