

## ROTARY VALVES WITH STEEL HOUSING

# Rotary valves with steel housing

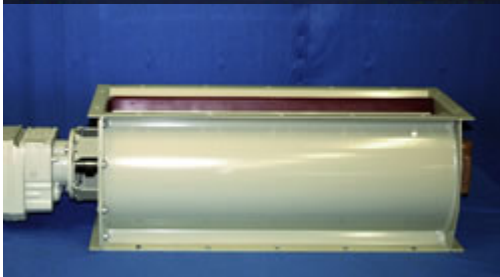
## DISCHARGING PRODUCTS FROM FILTERS AND CYCLONES



[1]



[2]



[3]

### Brief description of rotary valves

Exchangeable rotor blades made of wear-resistant polyurethane

Sealing ring between rotor and housing

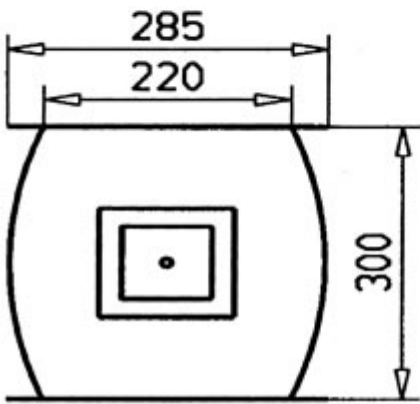
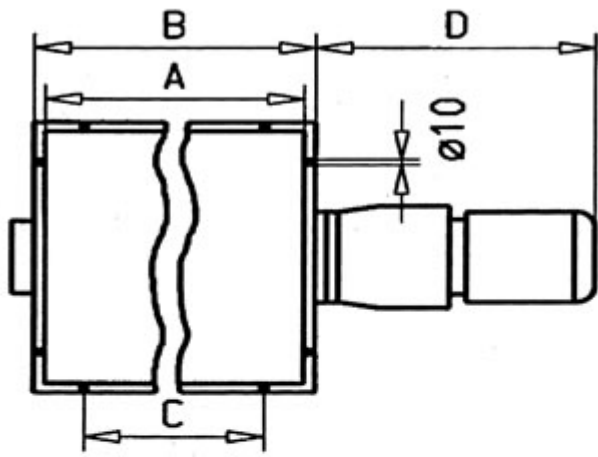
Sizes with inlet 220 x 250 mm up to 500 x 1500 mm

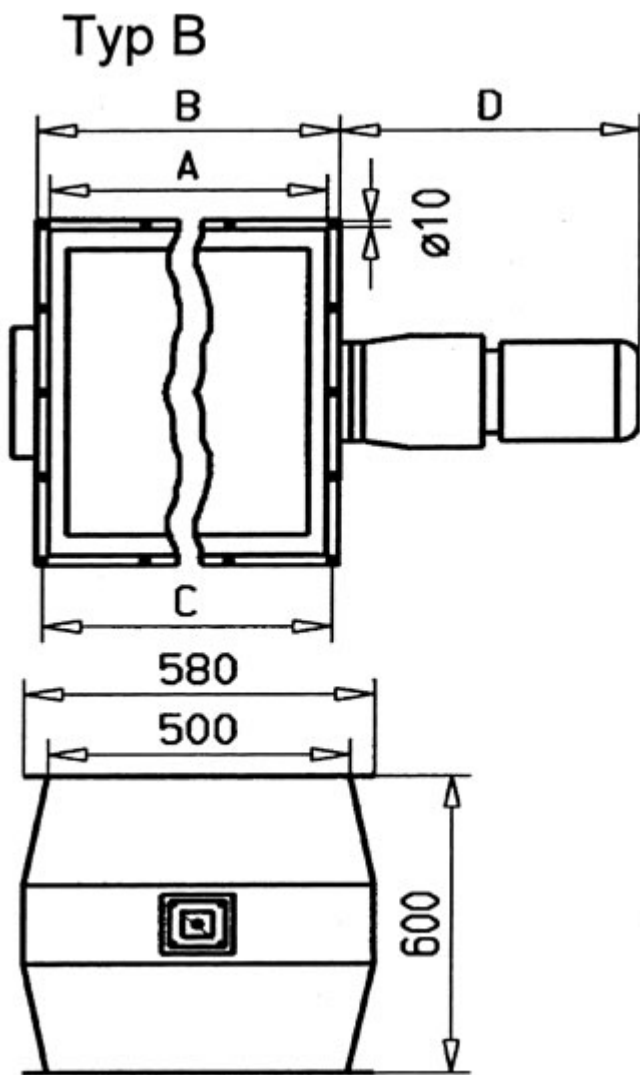
Directly coupled geared motor

Version also available as a system providing explosion protection

### Rotary valves dimension drawings

# Typ S





### Rotary valves technical data and dimensions

Rotary valves		25S	50S	75S	100S	150S	200S	B-500	B-750	B-1000	B-1500
Drive	kW	0.37	0.55	0.75	0.75	0.75	0.75	1.1	1.5	1.5	2.2
Motor type	RF	47	47	47	47	47	47	77	77	77	87
flangeØ motor	mm	160	160	160	160	160	160	250	250	250	250
Speed	UpM	21	21	22	22	22	22	17	17	17	17
Capacity	m³/h	10	20	32	42	63	83	60	90	120	180
Number of cells		6	6	6	6	6	6	8	8	8	8
Weight	kg	45	65	80	90	120	150	140	185	260	410
Loss (leakage air)											
at 200 mm WS	m³/h	15	20	25	30	80	100	80	120	150	225

at 600 mm WS	m <sup>3</sup> /h	25	40	50	70	150	300	150	250	350	475
dimensions											
A	mm	250	500	750	1000	1500	2000	500	750	1000	1500
B	mm	315	565	815	1065	1565	2065	580	830	1080	1580
C	mm	1 x 150	3 x 150	4 x 150	6 x 150	9 x 150	13 x 150	4 x 135	5 x 158	8 x 130	12 x 130
D	mm	460	480	480	480	480	480	605	605	605	750





---

**Source URL (modified on 09/09/2014 - 13:37):** <https://www.paul-groth.com/en/node/95>

### **Links**

[1] <https://www.paul-groth.com/sites/default/files/images/einzelmaschinen/schleusen/zellenradschleuse-b500-600.jpg>

[2] <https://www.paul-groth.com/sites/default/files/images/einzelmaschinen/schleusen/zellenradschleuse-50s-600.jpg>

[3] <https://www.paul-groth.com/sites/default/files/images/einzelmaschinen/schleusen/zellenradschleuse-75s-600.jpg>

[4] <https://www.paul-groth.com/en/tags/rotary-valves>

[5] <https://www.paul-groth.com/en/tags/air-technology>